



## NP Series

Fluid Processing and Transfer Sliding Vane Pumps

### Application Versatility

The NP type positive displacement sliding vane pumps are specially designed to offer maximum versatility for handling a wide range of clean, non-corrosive fluids.

### Efficiency Means Energy Savings

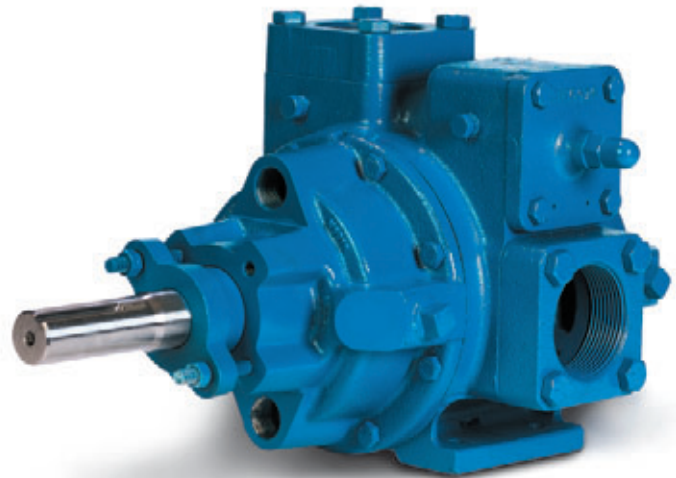
The high volumetric efficiency and symmetrical bearing support of the NP pumps means they require less horsepower than other PD pumps and up to 50% less power when handling viscous fluids. This means cost savings on both motors and electricity to operate the pumps.

### Self-Priming and Dry Run Capability

The NP pumps are self-priming, and the self-adjusting vanes help maintain this capability. NP pumps can run dry for short periods of time for priming and line stripping.

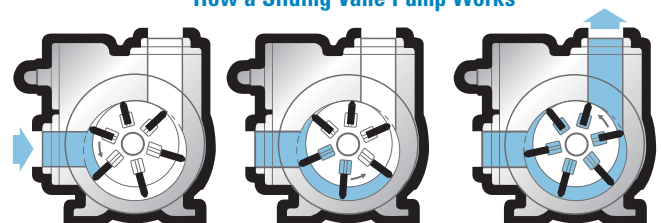
### High Viscosity

The NP pumps are ideal for handling viscous or shear sensitive fluids. The key to the NP series' versatility is Blackmer's unique sliding vane rotor design that provides sustained, high level performance over a wide viscosity range. Slow operating speeds and non-pulsating flow minimizes shear and agitation of the fluid. Optional Heating Jackets are available if required.



NP2 with Steam Jackets

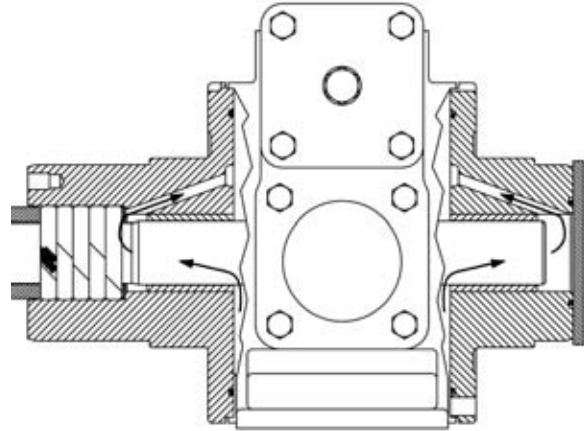
### How a Sliding Vane Pump Works





## Long Bearing Life

The unique head and bearing design allows a small quantity of fluid to flow from the discharge side of the pump to the bearings. The pumpage is then drawn to the suction side of the pump through passages in the heads. The small, continuous flow of fluid over the bearing surfaces provides a hydrodynamic film, which minimizes temperature rise for longer bearing life.



Unique sleeve bearing design



## Applications

- Refined Fuels
- Wax
- Greases
- Glues
- Solvents (VOC's)
- Adhesives
- Chocolate
- Creosote
- Syrup
- Asphalt
- Molasses
- Aqueous Film Forming Foam (AFFF)
- Edible Oils
- Black Liquor
- Sodium Silicate
- Tallow



## Options and Specifications

### Casing:

Available in cast iron or

### Drain Plugs:

Allow for easy draining, standard on ductile iron casing, optional on cast iron casing

### Rotor & Shaft:

Ductile iron rotor with hardened steel shaft

### Jacket Options:

Pumps available with optional Electric Heater ports or heating jackets for use with steam or hot oil. Both options heat the pump for highly viscous fluids and controlling bearing temperature. Electric heater ports are ready to accept standard heating elements. Steam and hot oil jackets use standard NPT connections.

### Relief Valve:

Integral cast iron valve with steel spring (optional corrosion resistant relief valve with stainless steel spring)

### Flanges: NP1.5" model:

NPT tapped casing ports

### NP2, 2.5, 3 & 4" models:

NPT tapped companion flanges standard—optional weld neck, ANSI 150 lb. available

### Elastomer:

FKM is standard. PTFE is optional.

### Seals:

PTFE impregnated shaft packing is standard

*Carbon filled PTFE lip seals, Blackmer triple lip seals, single or multiple cartridge mechanical seal options available.*

## Design Parameters

### Flow Rates:

5 to 500 U.S. gpm  
(19 to 1,893 lpm)

### Operating Temperatures:

to 500°F (260°C)

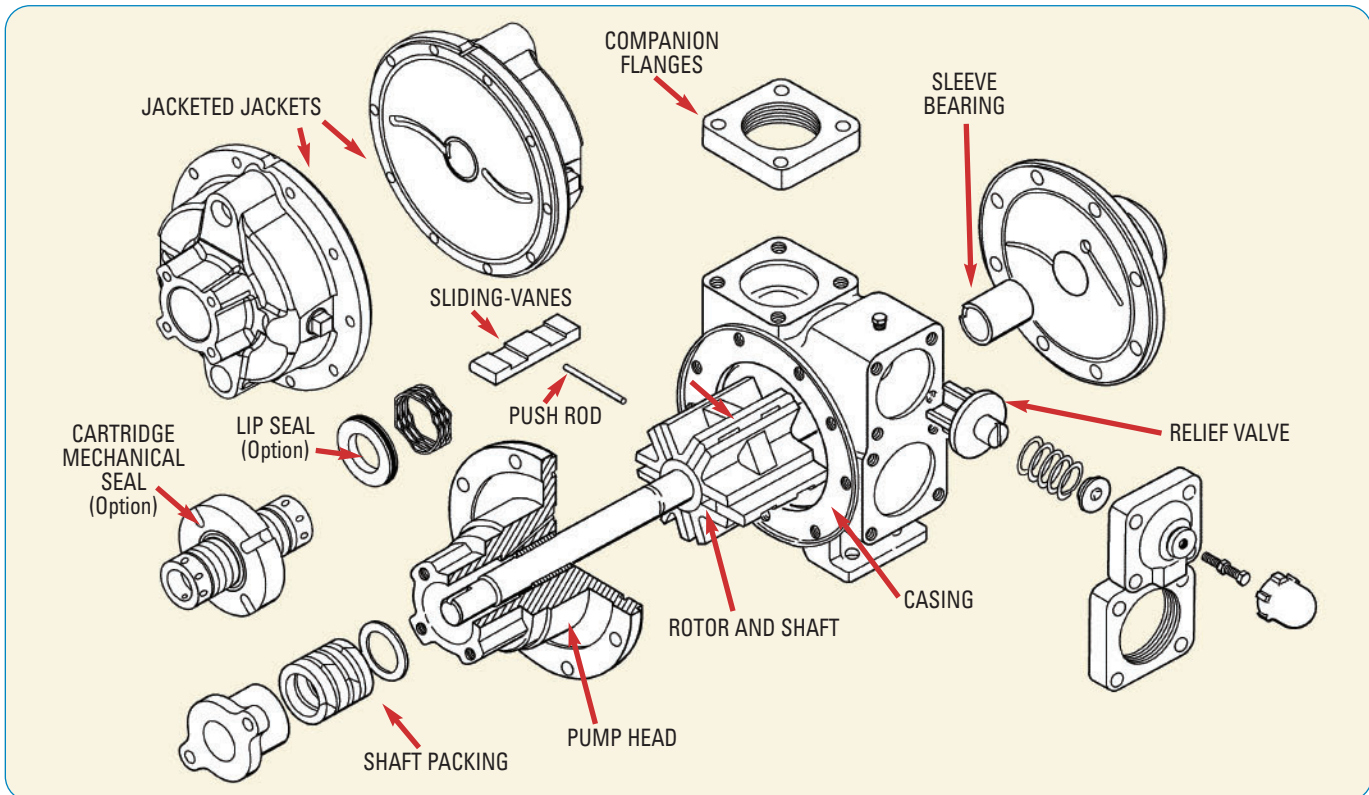
### Viscosity Range:

30-100,000 SSU  
(1.0-22,000 Cp)

### Maximum Differential Pressure:

200 psi (13.8 bar)  
300 psi (20.7 bar) hydrostatic pressure

## Basic Design And Construction





# NP Series Fluid Processing and Transfer Pumps

## Pump Performance Data\*

Pump Model	NP1.5				NP2				NP2.5			
SSU	31	1,000	20,000	50,000	31	1,000	20,000	50,000	31	1,000	20,000	50,000
Cp	1	210	4,200	11,000	1	210	4,200	11,000	1	210	4,200	11,000
GPM	38	45	24	10	60	70	38	16	110	122	64	28
LPM	144	170	91	38	227	265	144	61	416	462	242	106
MAX RPM	640	640	350	155	640	640	350	155	640	640	350	155
BHP	1.7	2.2	2.2	0.9	2.8	2.8	2.6	1.2	4.7	5.1	4.3	2.1
KW	1.3	1.6	1.6	0.7	2.1	2.1	1.9	0.9	3.5	3.8	3.2	1.6

Pump Model	NP3				NP4			
SSU	31	1,000	20,000	50,000	31	1,000	20,000	50,000
Cp	1	210	4,200	11,000	1	210	4,200	11,000
GPM	252	268	135	61	512	525	355	155
LPM	954	1,014	511	231	1,938	1,987	1,344	587
MAX RPM	640	640	350	155	640	640	350	155
BHP	11.5	12.1	8.8	3.8	20	27	22	9
KW	8.6	9	6.6	2.8	14.9	20.1	16.4	6.7

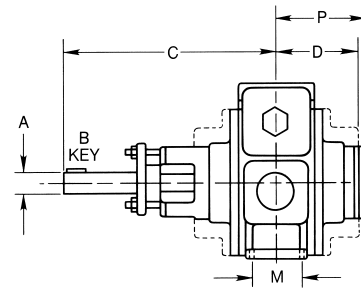
\*Approximate capacities and horsepower (BHP) are for the conditions specified at 50psi (3.45 BAR) differential pressure.

Refer to Blackmer Characteristic Curves for capacities and horsepower at other operating conditions.

## Maximum Operating Limits

Pump Model	Nominal Flowrate		Pump Speed	Viscosity		Differential Pressure		Hydrostatic Pressure		Temperature	
	GPM	LPM		SSU	Cp	PSI	BAR	PSI	BAR	°F	°C
NP1.5	47	178	640	100,000	22,000	200	13.79	300	20.68	500	260
NP2	77	291	640	100,000	22,000	200	13.79	300	20.68	500	260
NP2.5	136	515	640	100,000	22,000	200	13.79	300	20.68	500	260
NP3	276	1,045	640	100,000	22,000	200	13.79	300	20.68	500	260
NP4	525	1,985	500	100,000	22,000	200	13.79	300	20.68	500	260

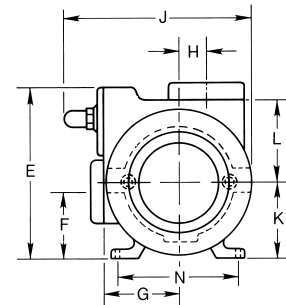
Note: Optional materials of construction may be required to meet specific application requirements – refer to Blackmer Material of Construction Sheets. For operating limits that exceed those listed – consult factory.



## Pump Dimensions

Pump Model	A	B	D	E	G	K	N	Q	S	T	V	Approx. Wt. with Std. Flanges	
NP1.5	in.	1	¼	3¾	3¾	3½	6½	4	8½	7	3⅞	2¼	47 lbs.
	mm	25	6	95	95	79	165	102	216	178	90	57	21 kg
NP2	in.	1	¼	11¼	4¾	3½	6½	3½	8¾	5¾	3¾	1½	65 lbs.
	mm	25	6	286	124	89	165	89	221	149	98	38	30 kg
NP2.5	in.	1¼	¼	13	5¾	4¾	7	3¾	9⅞	6⅞	3¾	1¾	92 lbs.
	mm	32	6	330	149	124	178	95	244	173	98	44	42 kg
NP3	in.	1¼	¼	13	5¾	4¾	7¼	4⅞	12¼	8⅞	4¾	2½	134 lbs.
	mm	32	6	330	149	111	184	117	311	217	124	64	61 kg
NP4	in.	2	½	18	8¾	7	9½	5	15½	10¾	6¾	2½	314 lbs.
	mm	51	13	457	206	178	241	127	394	268	162	64	142 kg

Note: Please refer to Blackmer catalog Dimension Sheets for optional jacketed head dimensions and NPT, weld neck, ANSI or DIN compatible companion flange dimensions.



Distributed by:

### World Headquarters

1809 Century Avenue SW  
Grand Rapids, MI 49503-1530 USA  
T 616.241.1611 F 616.241.3752

### European Headquarters

ZI la Plaine des Isles, rue des Caillottes  
89000 Auxerre, FRANCE  
T +33.3.86.49.86.30 F +33.3.86.46.42.10

